

TOPAZ™

Self-Contained Oxygen Generators for Commercial Use

- New generation OEM product
- Designed for reliability
- Energy-efficient
- Performance-plus technology
- Automatic and unattended operation
- Easy to operate and maintain
- Thousands in use around the world



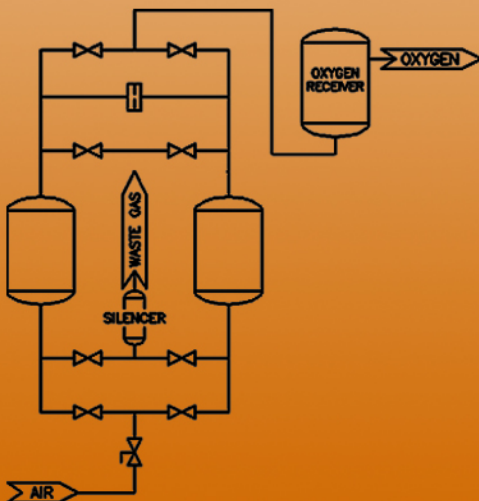
Worldwide solutions
for global impact

How Do AirSep PSA Systems Work?

Air contains 21% oxygen, 78% nitrogen, 0.9% argon, and 0.1% other gases. AirSep Oxygen Generating Systems separate oxygen from compressed air through a unique Pressure Swing Adsorption process. The PSA process uses molecular sieve (a synthetic zeolite), which attracts (adsorbs) nitrogen from air at high pressure and releases (desorbs) it at a low pressure.

AirSep Oxygen Generators use two vessels filled with molecular sieve as adsorbers. As compressed feed air flows through one of the vessels, the molecular sieve adsorbs nitrogen. The remaining oxygen passes through the vessel and exits as the product gas. Before the adsorber becomes saturated with nitrogen, the feed air is diverted to the second vessel. At that point, the sieve in the first vessel regenerates by desorbing the nitrogen through depressurization and purging it with oxygen from the second vessel.

This process is then repeated in the second vessel to complete a cycle that allows the oxygen generator to deliver a constant flow of product oxygen at 90% minimum purity. Under normal operating conditions, the molecular sieve is completely regenerative and will last indefinitely.



TOPAZ™ PSA Oxygen Generator

SPECIFICATIONS

Operating Characteristics

Product Flow: 12 SCFH / 0.31 Nm³/hr (Topaz): 17 SCFH / 0.44 Nm³/hr (Topaz Plus)
 Standard Product Pressure: 9 psig / 62 kPa (Topaz): 20 psig / 138 kPa (Topaz Plus)
 Product Purity: 93% ± 3%
 Product Dew Point: -100°F (-73°C)
 Sound Level: 55 dB

Ambient Operating Conditions

Locate the oxygen generator in a well-ventilated area that is protected from weather elements and remains between 40°F (4°C) and 120°F (44°C)

Power Requirements¹

100V~±10%, 50 or 60Hz, Single Phase, 5.5A
 120V~±10%, 60Hz, Single Phase, 5.0A
 220V~±10%, 50 or 60Hz, Single Phase, 2.5A
 Typical Power Consumption, 350 W

Physical Connections

Product Gas Outlet: 1/4" NPT/B size oxygen adapter

Certifications and Approvals

CSA, CE

Warranty

1-Year Parts and Factory Labor²

Dimensions

Generator Dimensions: 17.3" x 10" x 26.8" (44 x 26 x 68 cm)
 Shipping Dimensions: 21" x 12" x 29" (54 x 31 x 74 cm)
 Weight: 55 lb (25 kg) Net; 63 lb (29 kg) Gross

¹Specify required voltage and frequency at time of order.

²An unprotected or inadequately ventilated environment or improper control power may cause damage to the oxygen generator that is not covered under warranty.

*AirSep Corporation reserves the right to change specifications and/or design without notice.

Topaz/Topaz Plus Product Gas Purity

